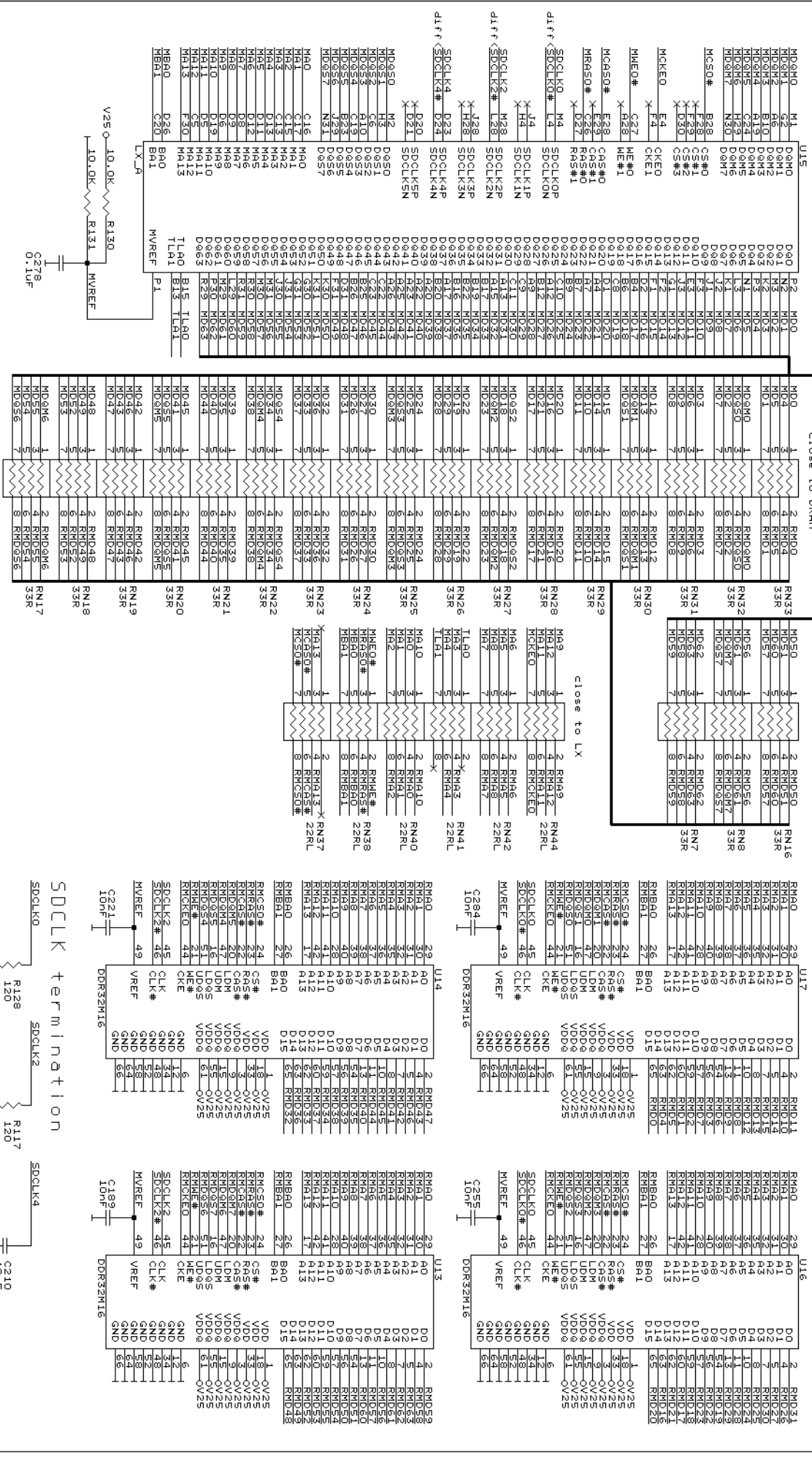


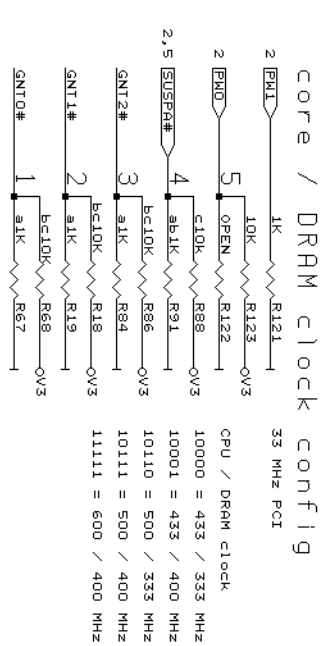
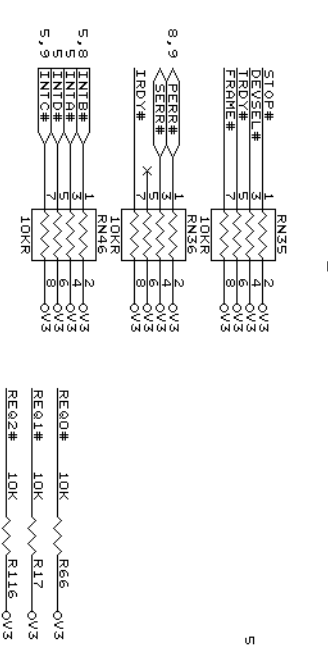
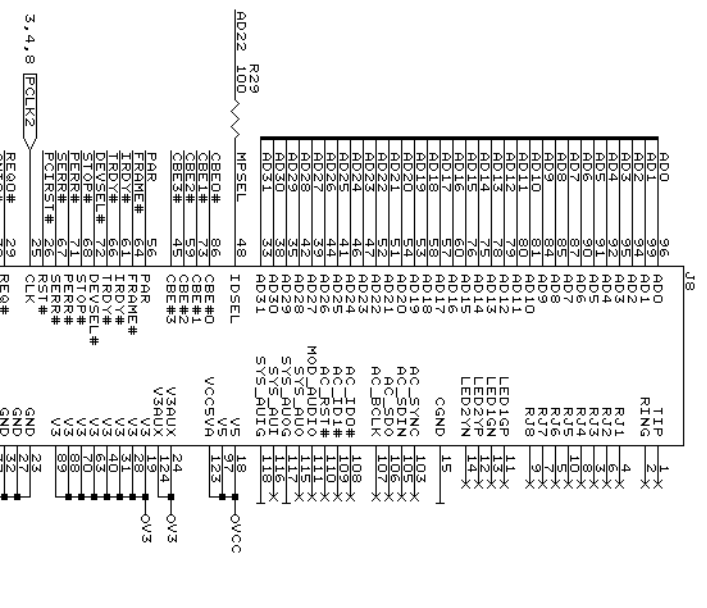
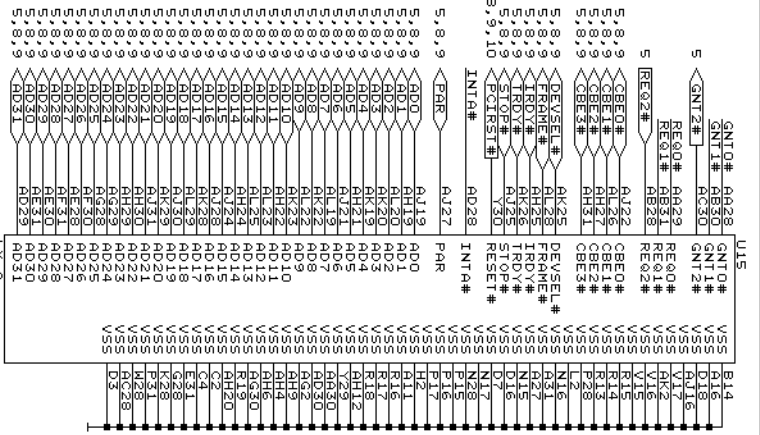
LX memory controller

128MB or 256MB DDR DRAM (PC400)



Component	Value	Location
C178	0.1uF	U17
C179	0.1uF	U17
C180	0.1uF	U17
C181	0.1uF	U17
C182	0.1uF	U17
C183	0.1uF	U17
C184	0.1uF	U17
C185	0.1uF	U17
C186	0.1uF	U17
C187	0.1uF	U17
C188	0.1uF	U17
C189	0.1uF	U17
C190	0.1uF	U17
C191	0.1uF	U17
C192	0.1uF	U17
C193	0.1uF	U17
C194	0.1uF	U17
C195	0.1uF	U17
C196	0.1uF	U17
C197	0.1uF	U17
C198	0.1uF	U17
C199	0.1uF	U17
C200	0.1uF	U17
C201	0.1uF	U17
C202	0.1uF	U17
C203	0.1uF	U17
C204	0.1uF	U17
C205	0.1uF	U17
C206	0.1uF	U17
C207	0.1uF	U17
C208	0.1uF	U17
C209	0.1uF	U17
C210	0.1uF	U17

MiniPCI 1



core / DRAM clock config

33 MHz PCI

CPU / DRAM clock

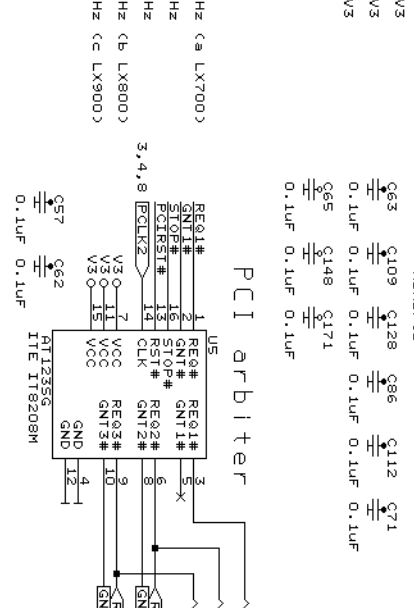
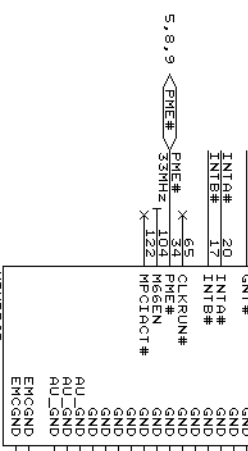
10000 = 433 / 333 MHz (a LX700)

10001 = 433 / 400 MHz

10110 = 500 / 333 MHz

10111 = 500 / 400 MHz (b LX800)

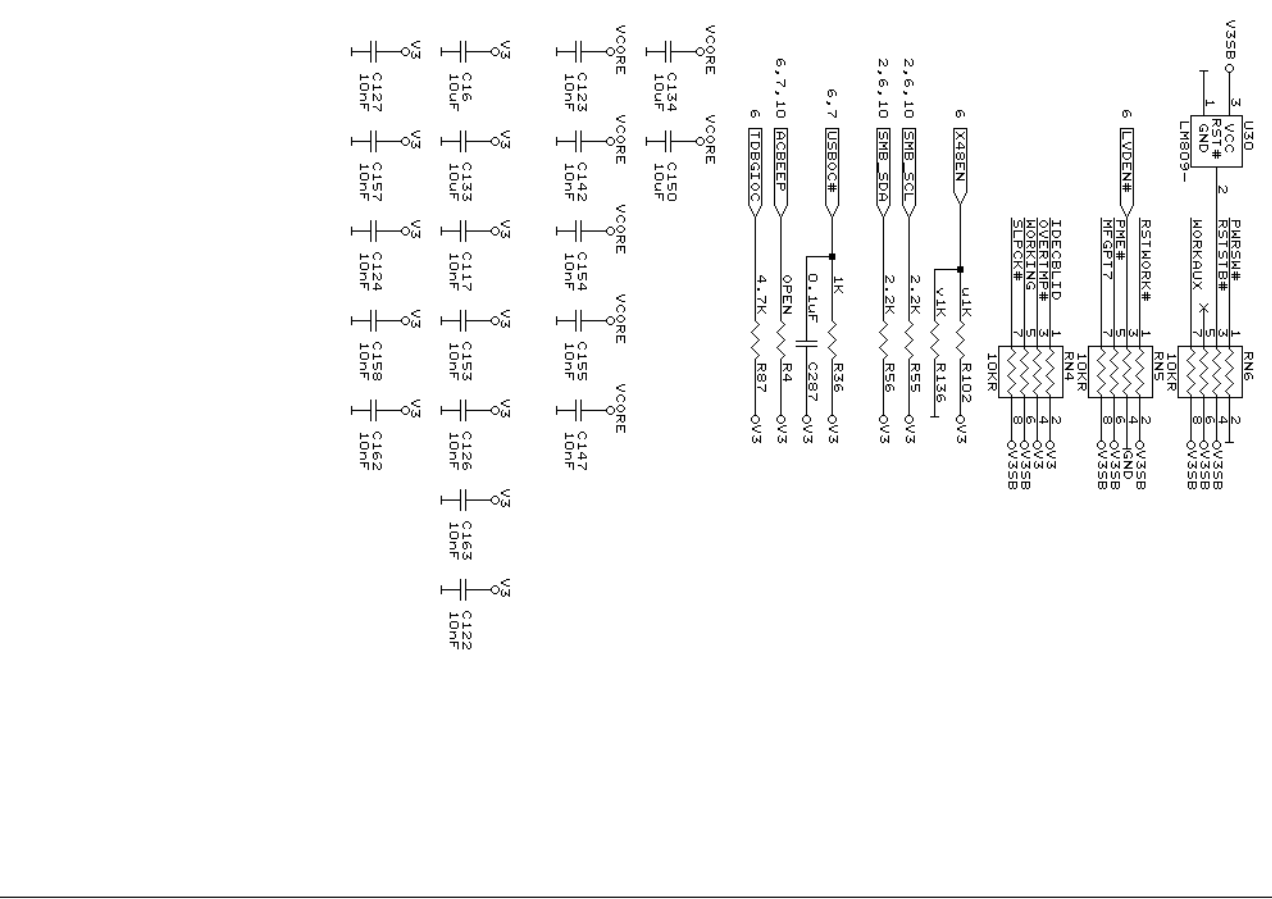
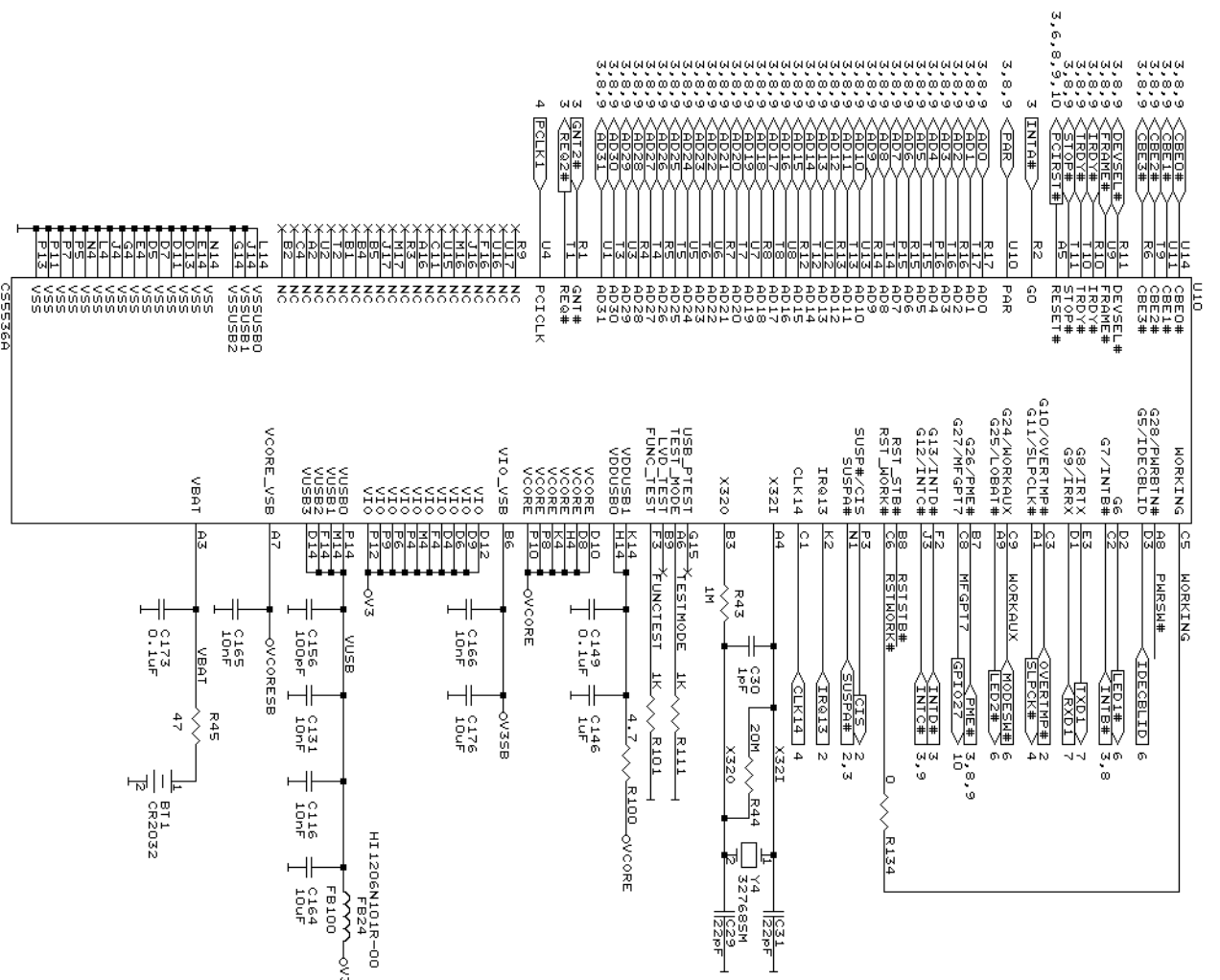
11111 = 600 / 400 MHz (c LX900)

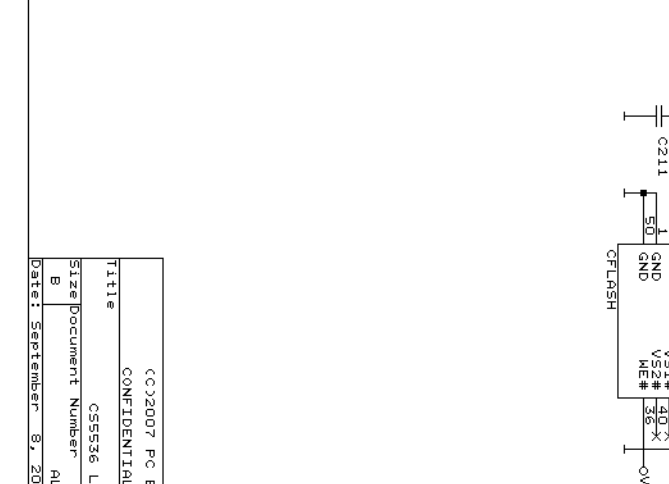
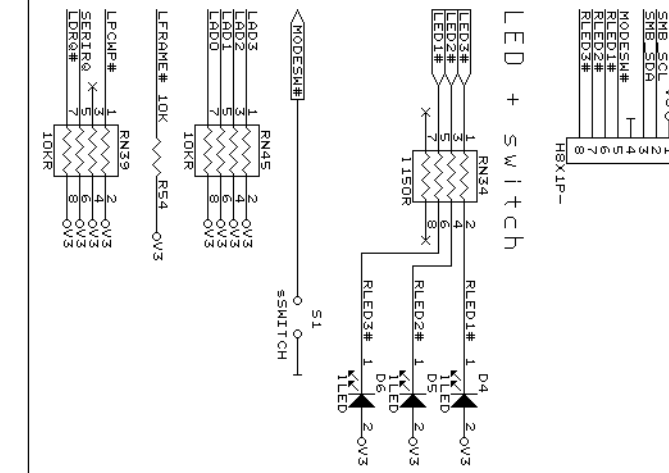
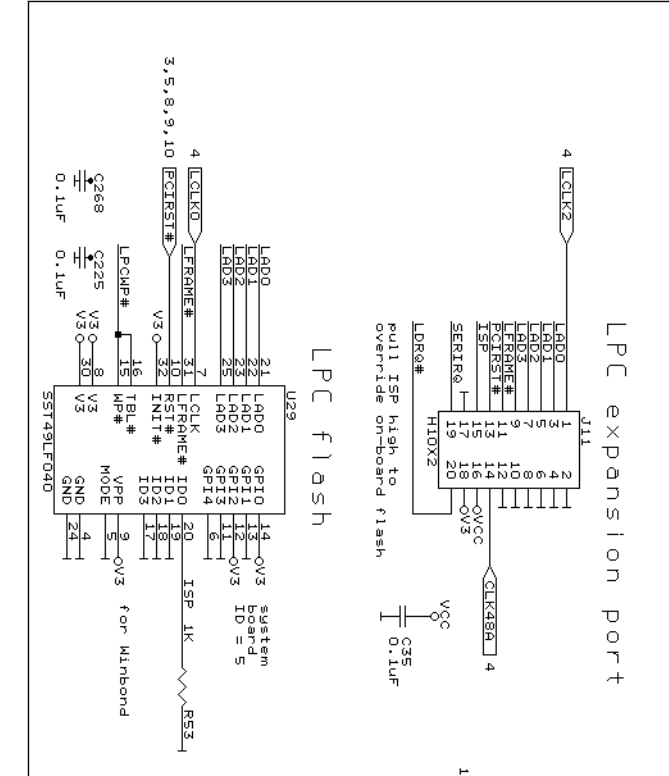
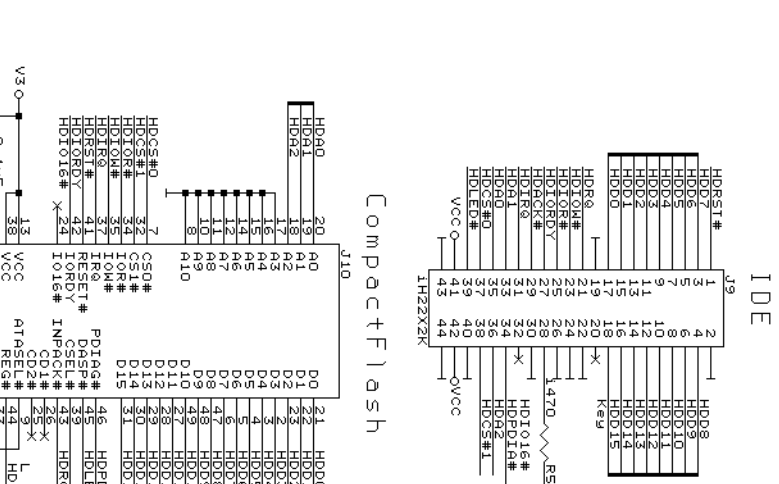
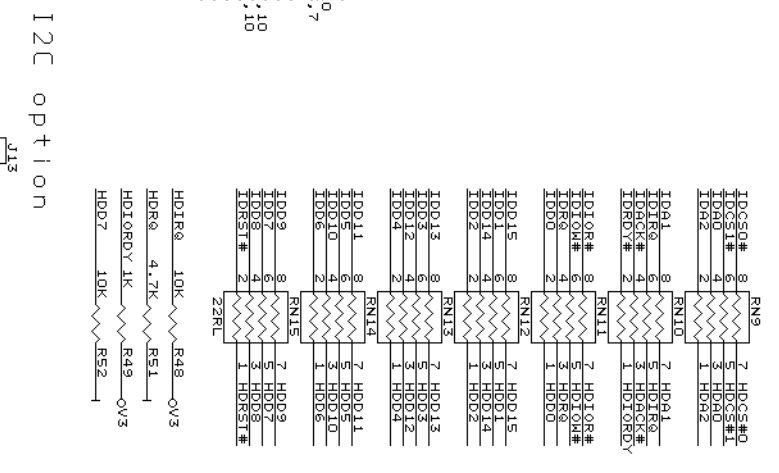
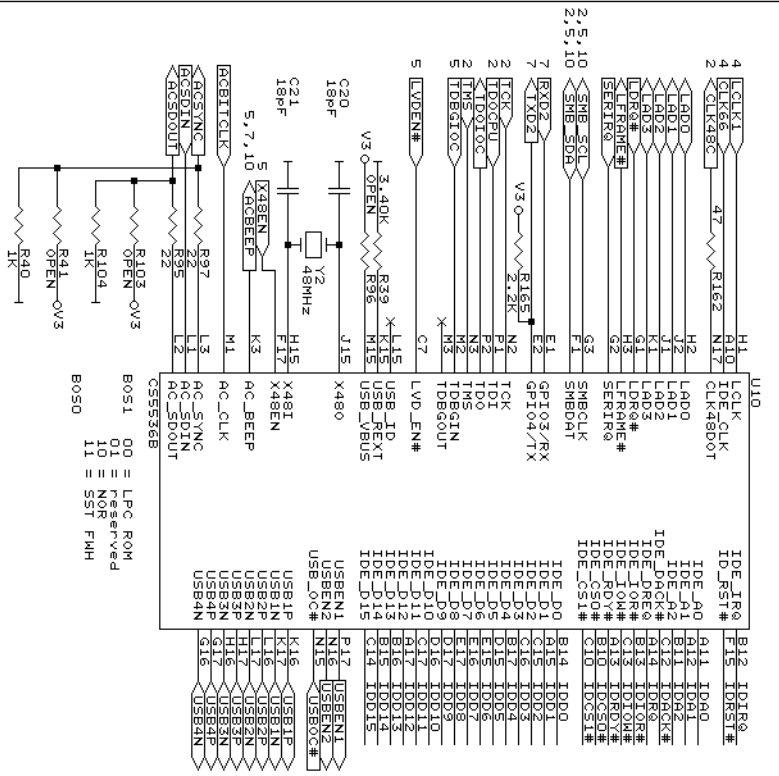


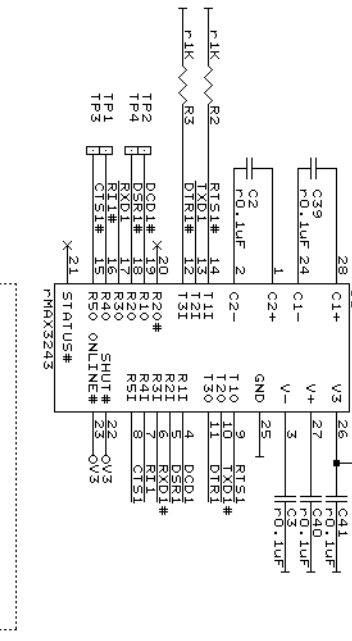
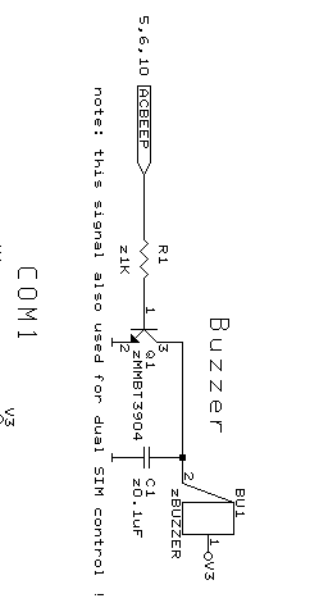
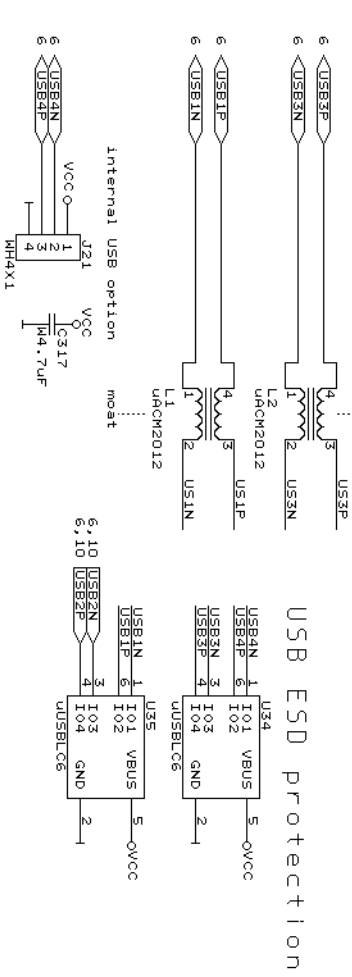
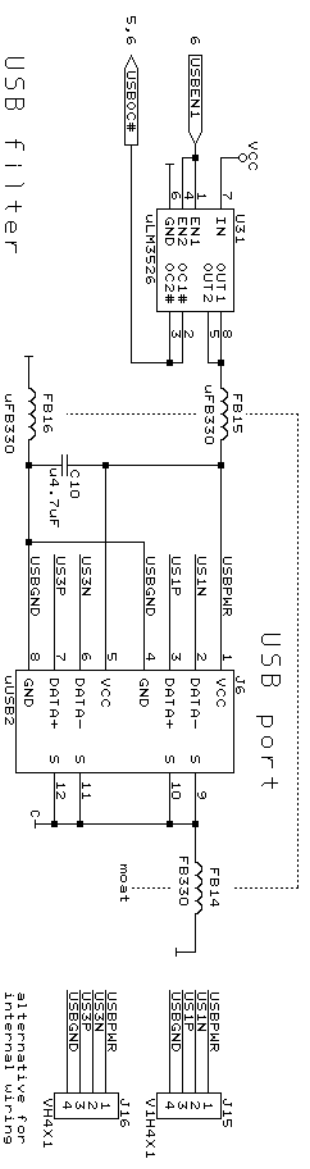
PCI arbiter

CC)2007 PC Engines GmbH
CONFIDENTIAL

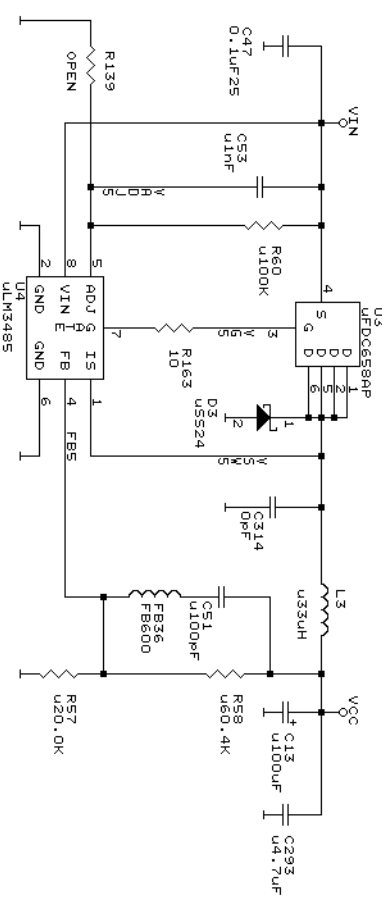
Title	LX + PCI
Size/Document Number	ALIX
Date:	January 13, 2008/Sheet 3 of 11



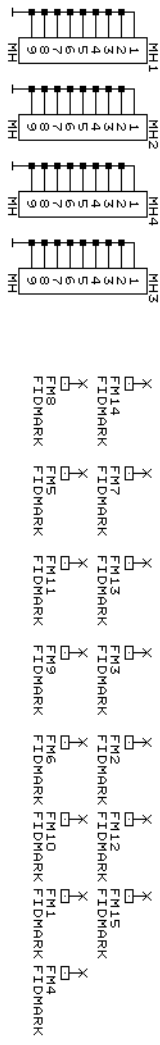




5V 1A USB supply

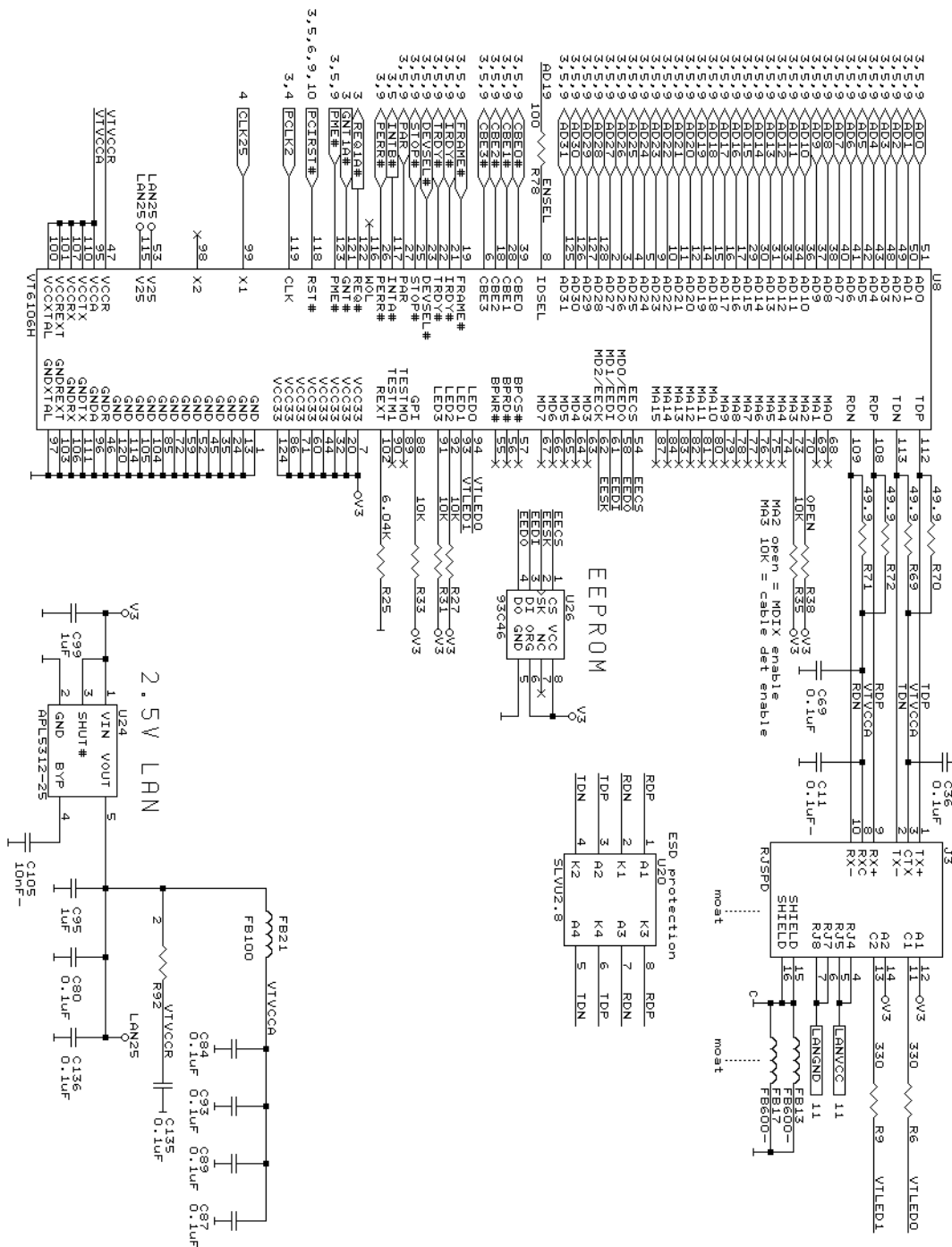


Mounting holes Fiducial marks

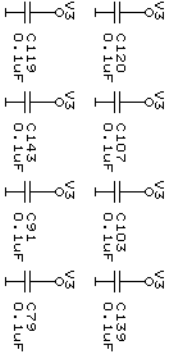
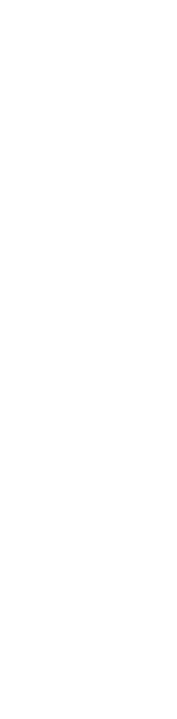


CC2007 PC Engines GmbH	
CONFIDENTIAL	
Title USB, front panel	
Size/Document Number	ALIIX
Date: October 16, 2010/Sheet	7 of 11
REV	6F

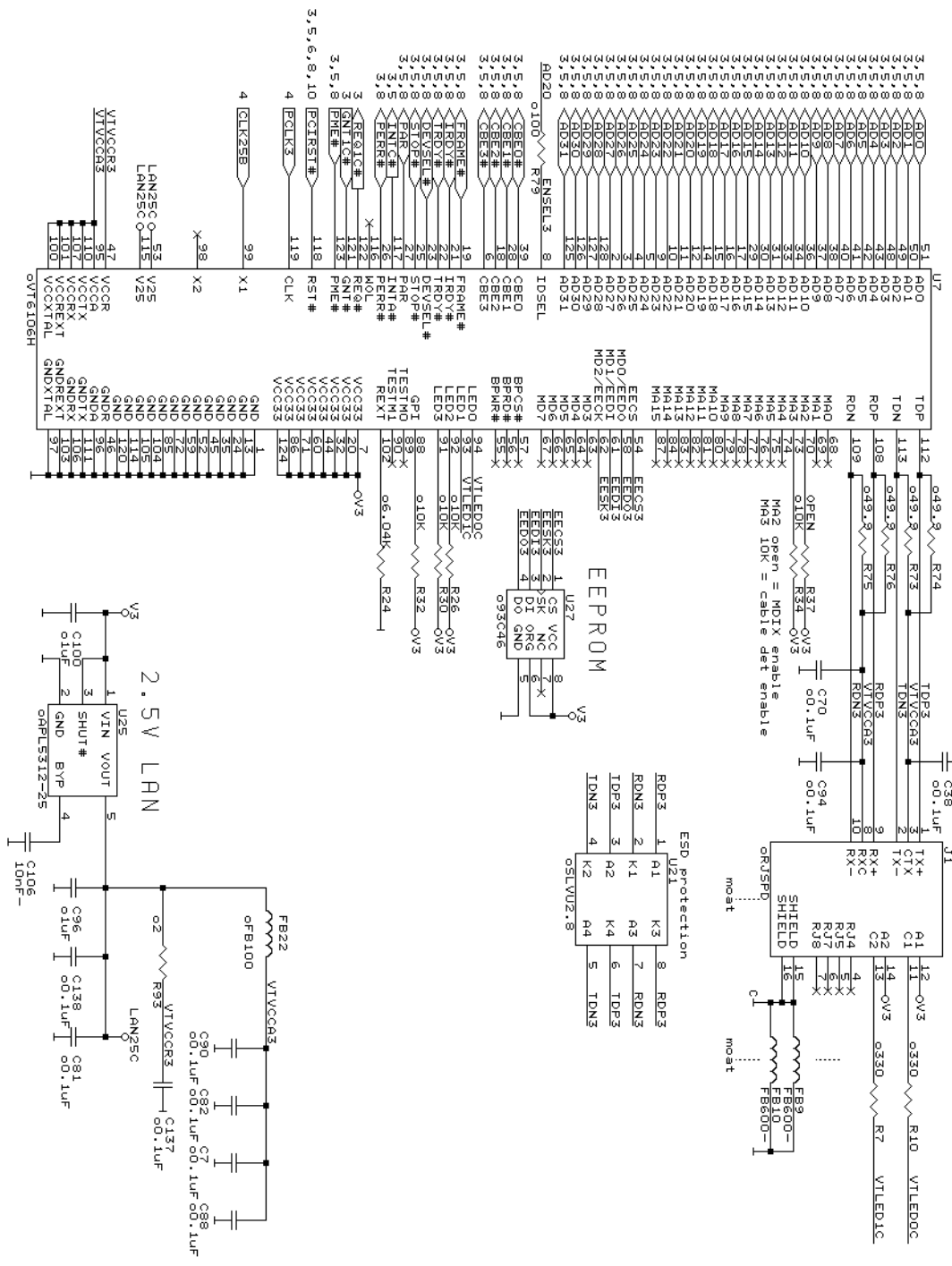
VT6106H LAN 1



2.5V LAN

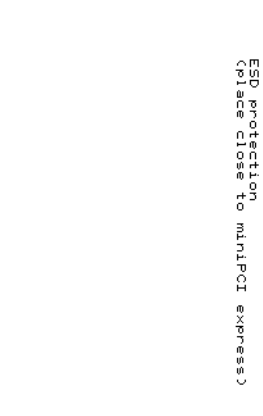
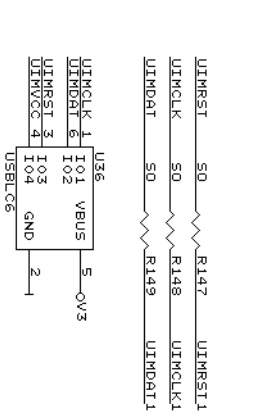
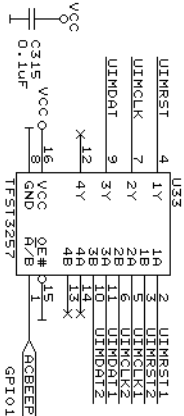
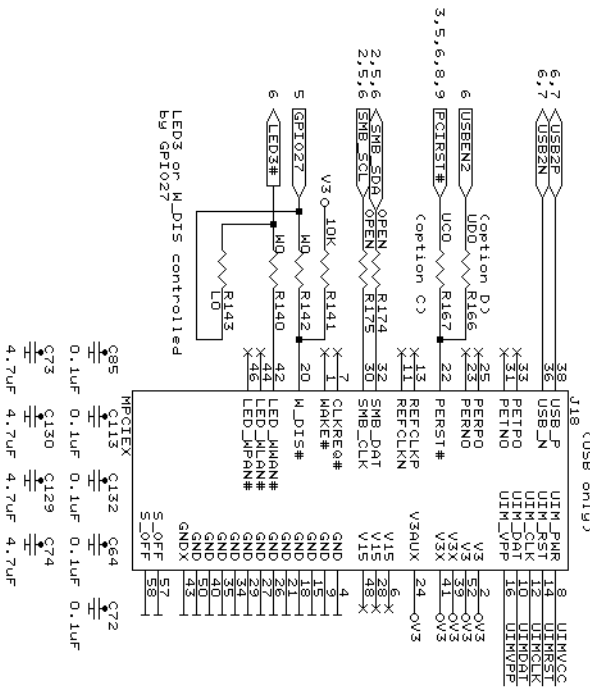


VT6106H LAN 2

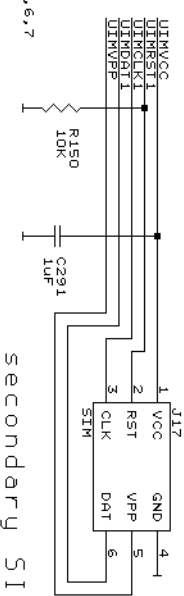


MultipCI Express

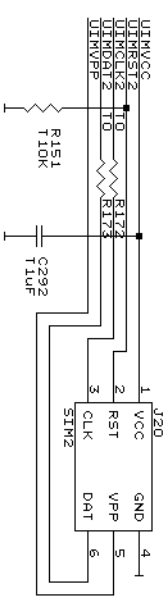
SIM switch



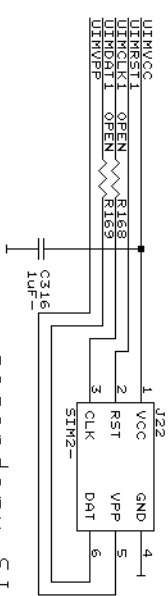
primary SIM



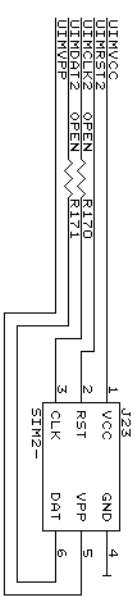
secondary SIM



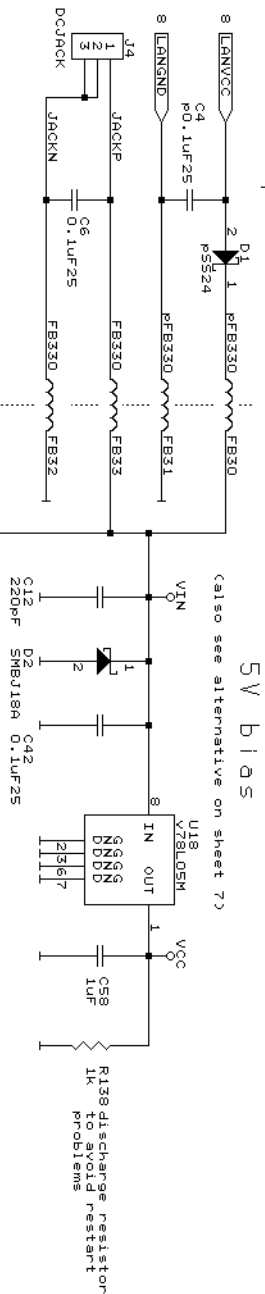
primary SIM



secondary SIM



Power input +7..20V

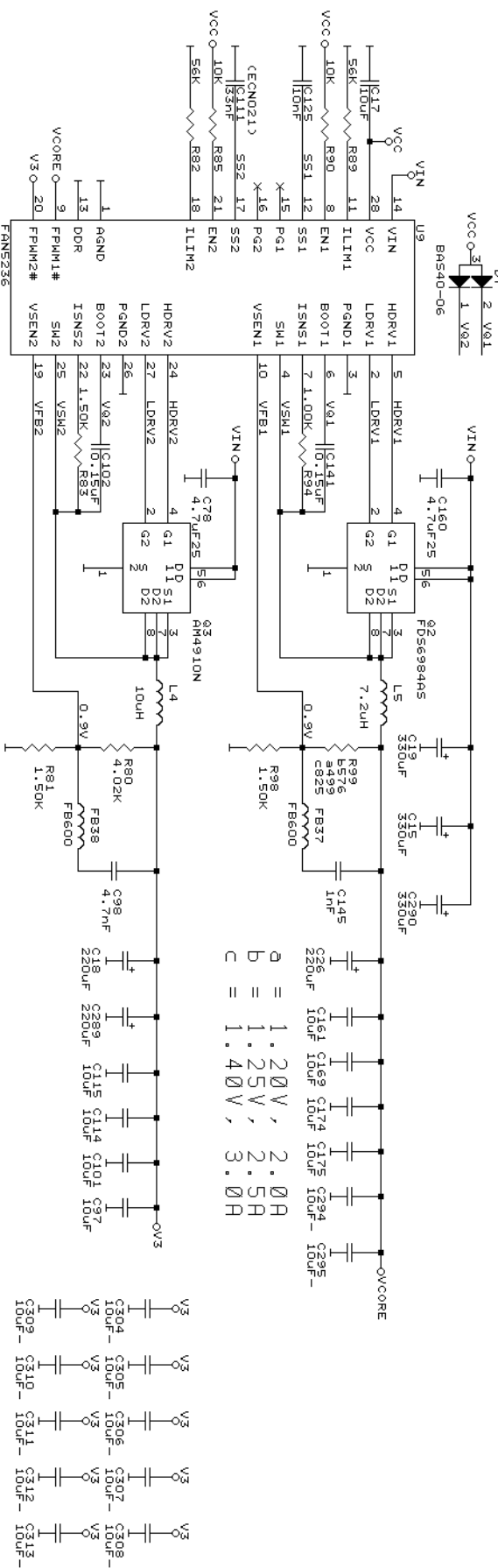


5V bias

(also see alternative on sheet 7)

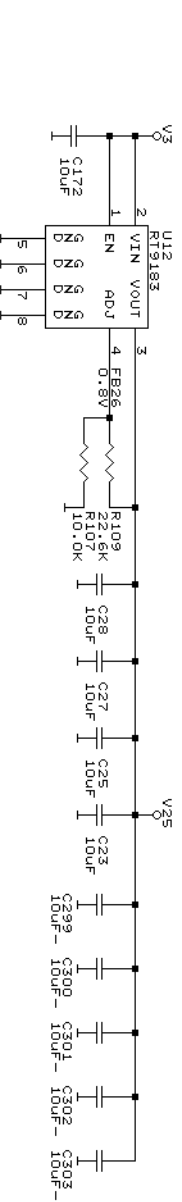
R138 discharge resistor
1k to avoid restart
problems

VCORE, V3 regulator

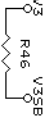


a = 1.20V, 2.0A
b = 1.25V, 3.5A
c = 1.40V, 3.0A

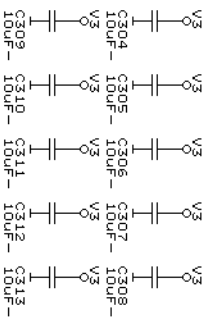
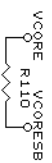
2.6V DDR supply



3.3V standby



1.2V standby



CC2007 PC Engines GmbH	
CONFIDENTIAL	
Title	Power supply
Size/Document Number	ALIIX
Date:	October 16, 2010/Sheet 11 of 11
REV	6F