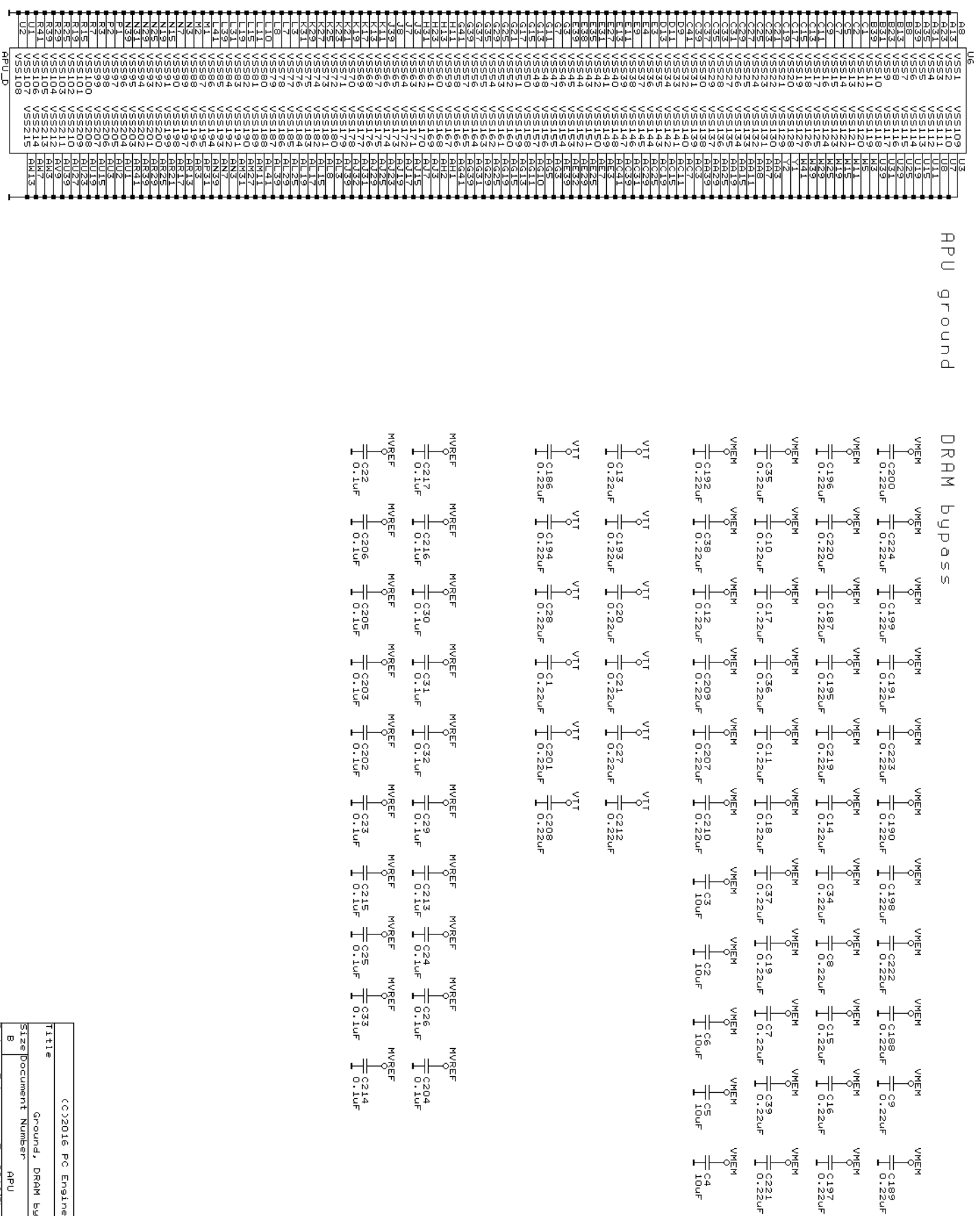


APU ground

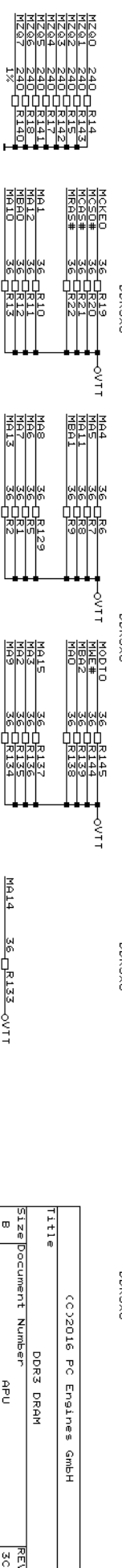
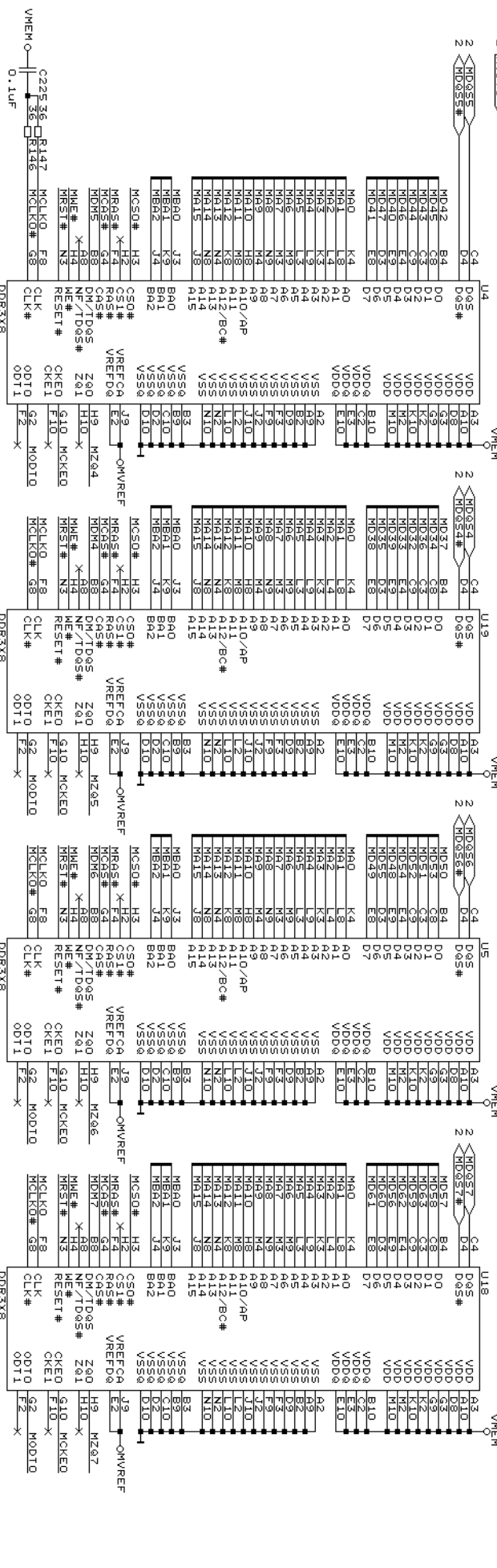
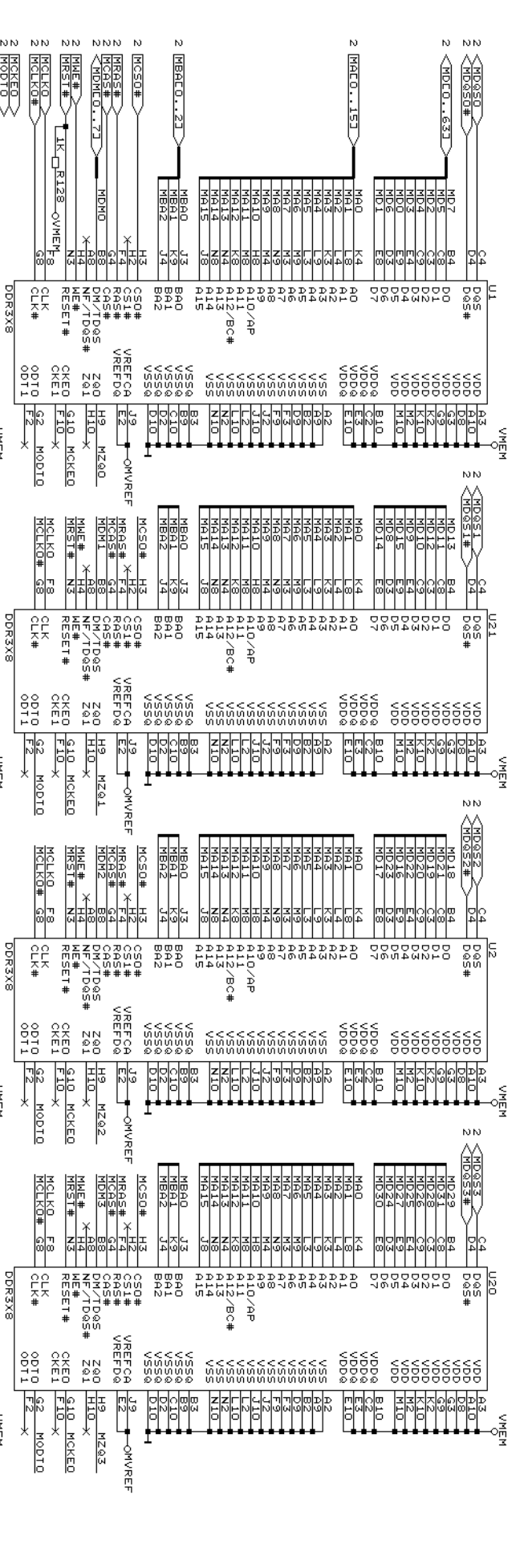
DRAM bypass



- 17.5SCH
- 15.5SCH
- 14.5SCH
- 12.5SCH
- 11.5SCH
- 10.5SCH
- 9.5SCH
- 8.5SCH
- 5.5SCH
- 4.5SCH
- 3.5SCH
- 2.5SCH
- 1.5SCH
- LNK

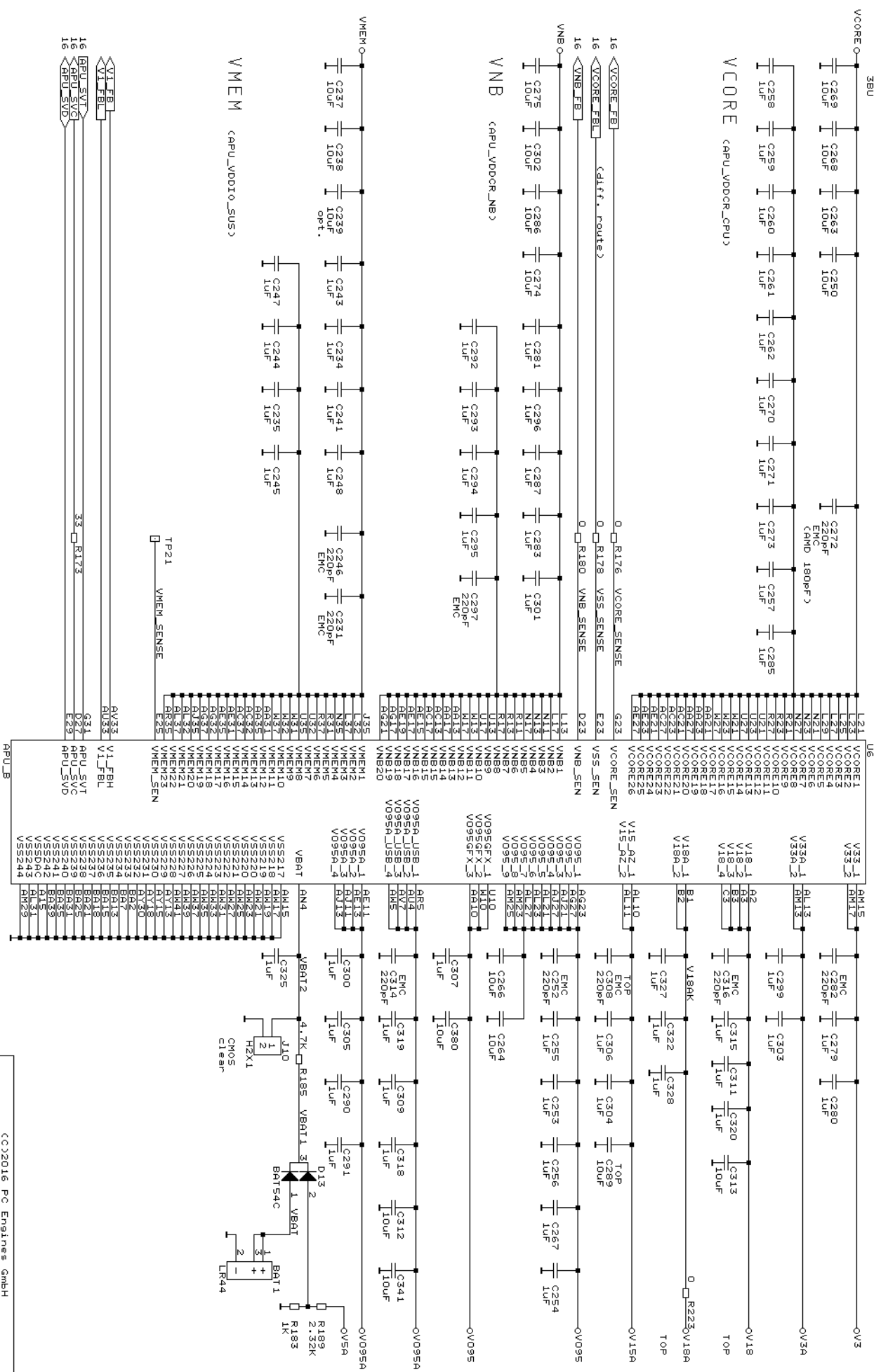
Title		Ground, DRAM Bypass	
Size/Document Number		APU	
Date:		February 5, 2016/Sheet	
		1 of 17	
REV		3C	

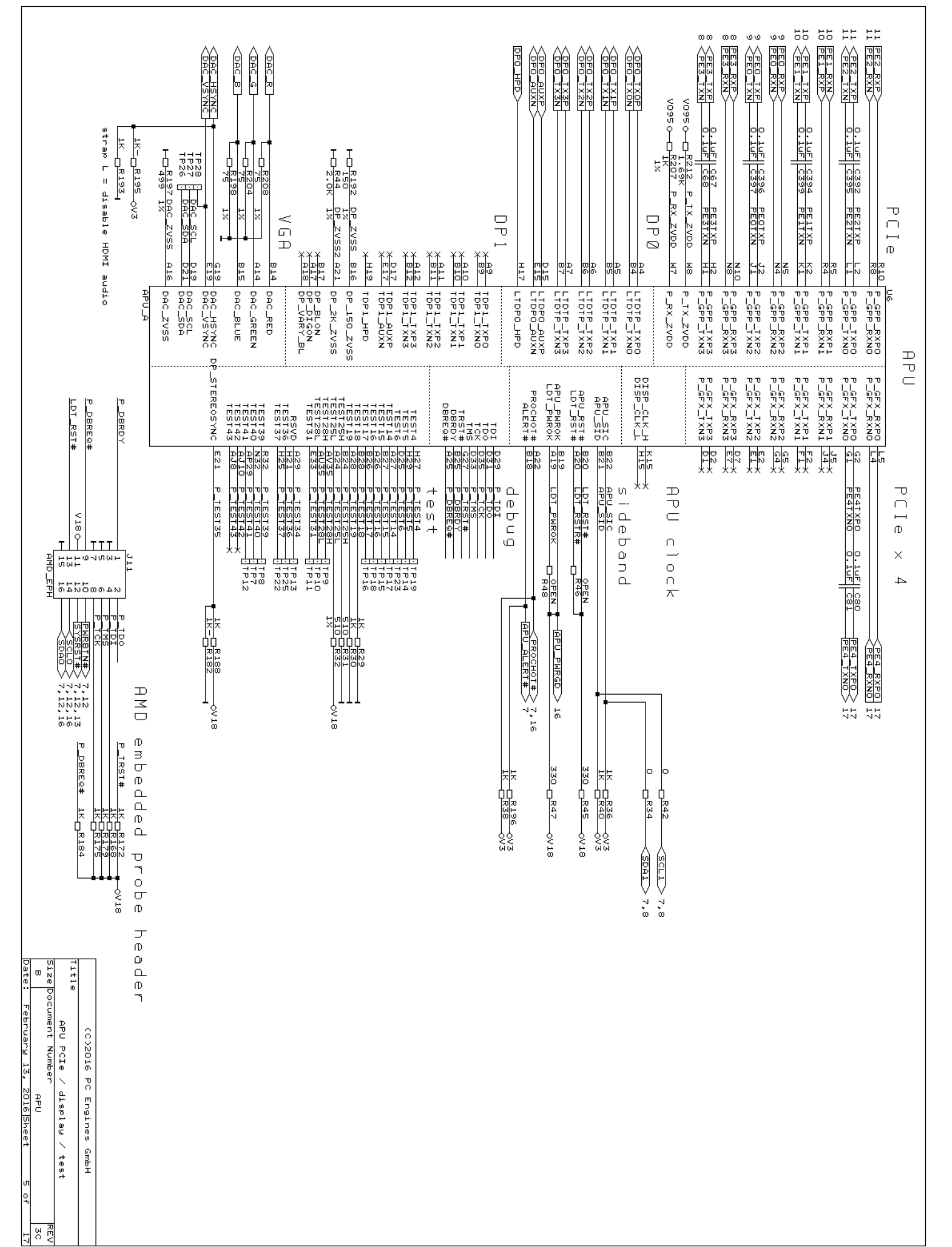
©2016 PC Engines GmbH



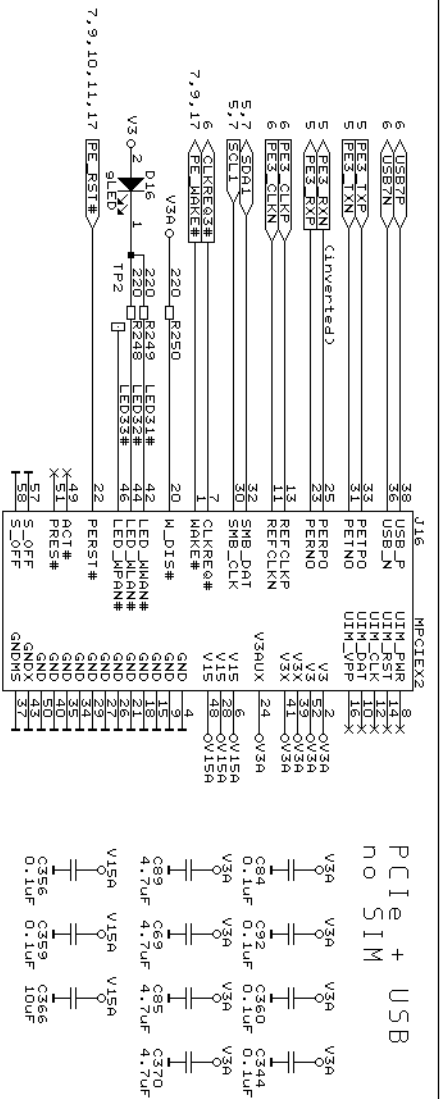
Title: DDR3 DRAM
 Size/Document Number: APU
 Date: February 5, 2016/Sheet: 3 of 17

APU power

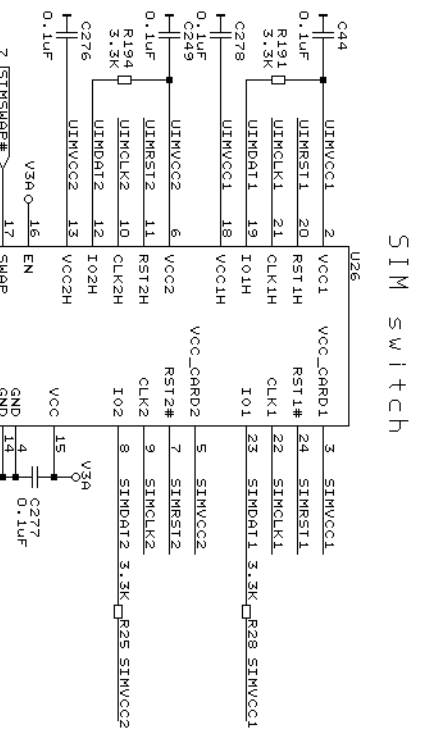




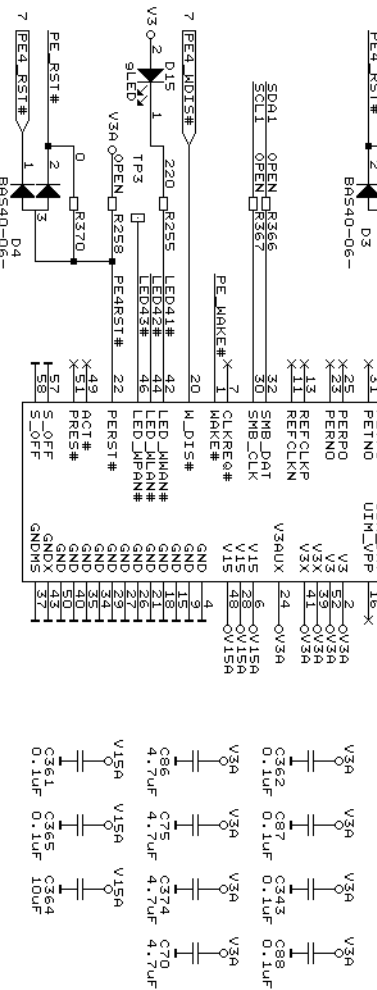
AMD embedded probe header



PCIe + USB

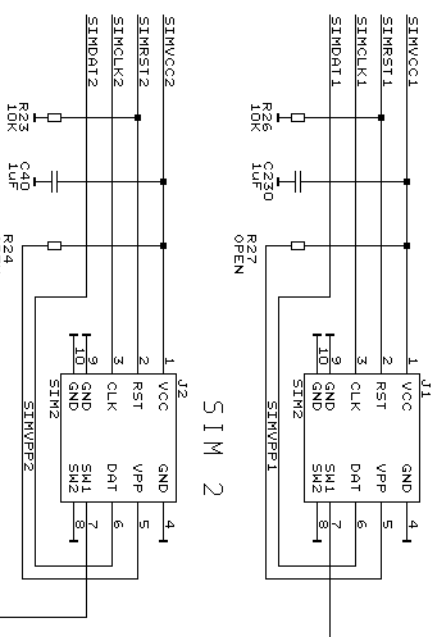


USB only

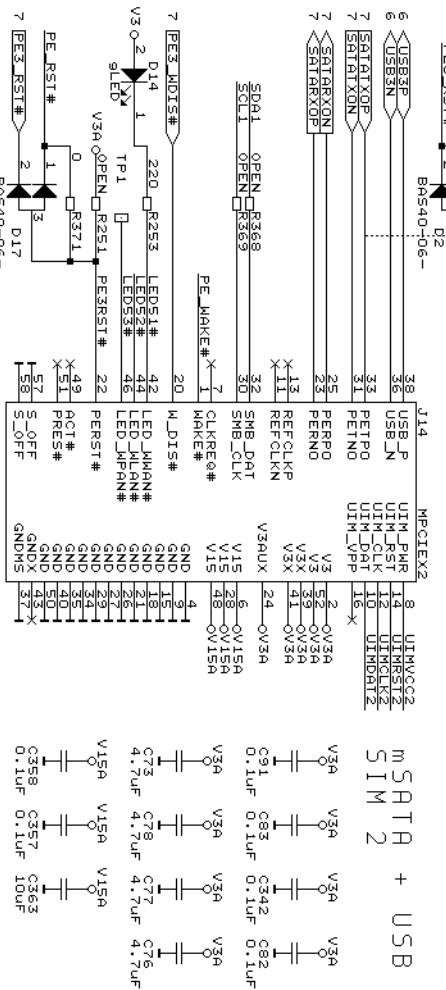


SIM switch

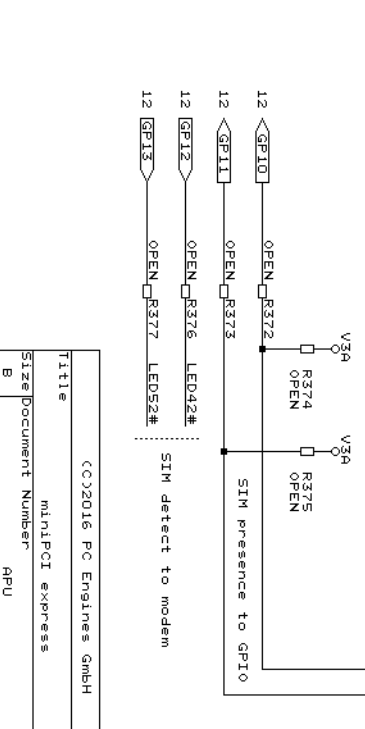
SIM 1

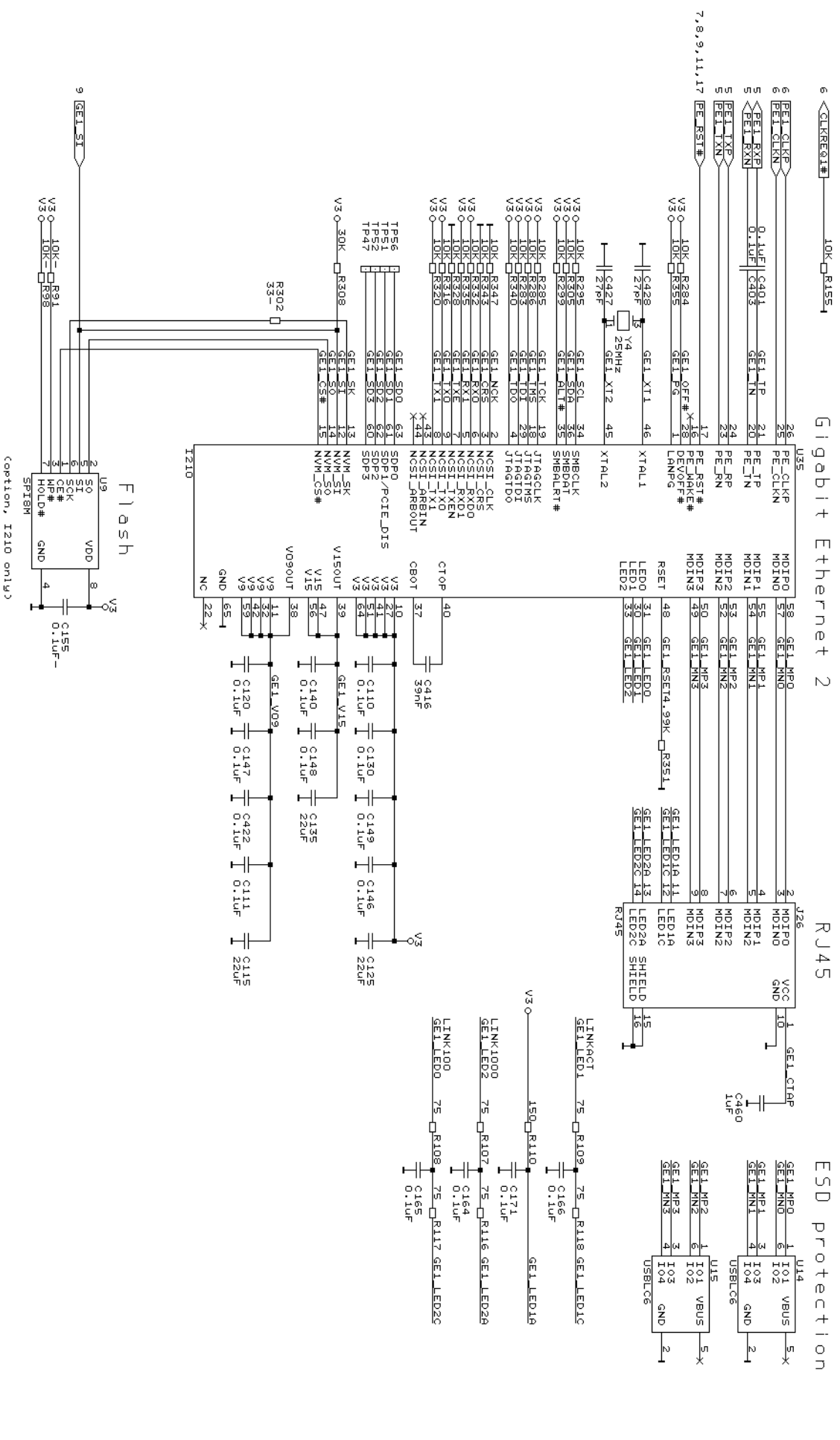


SIM 2



mSATA + USB





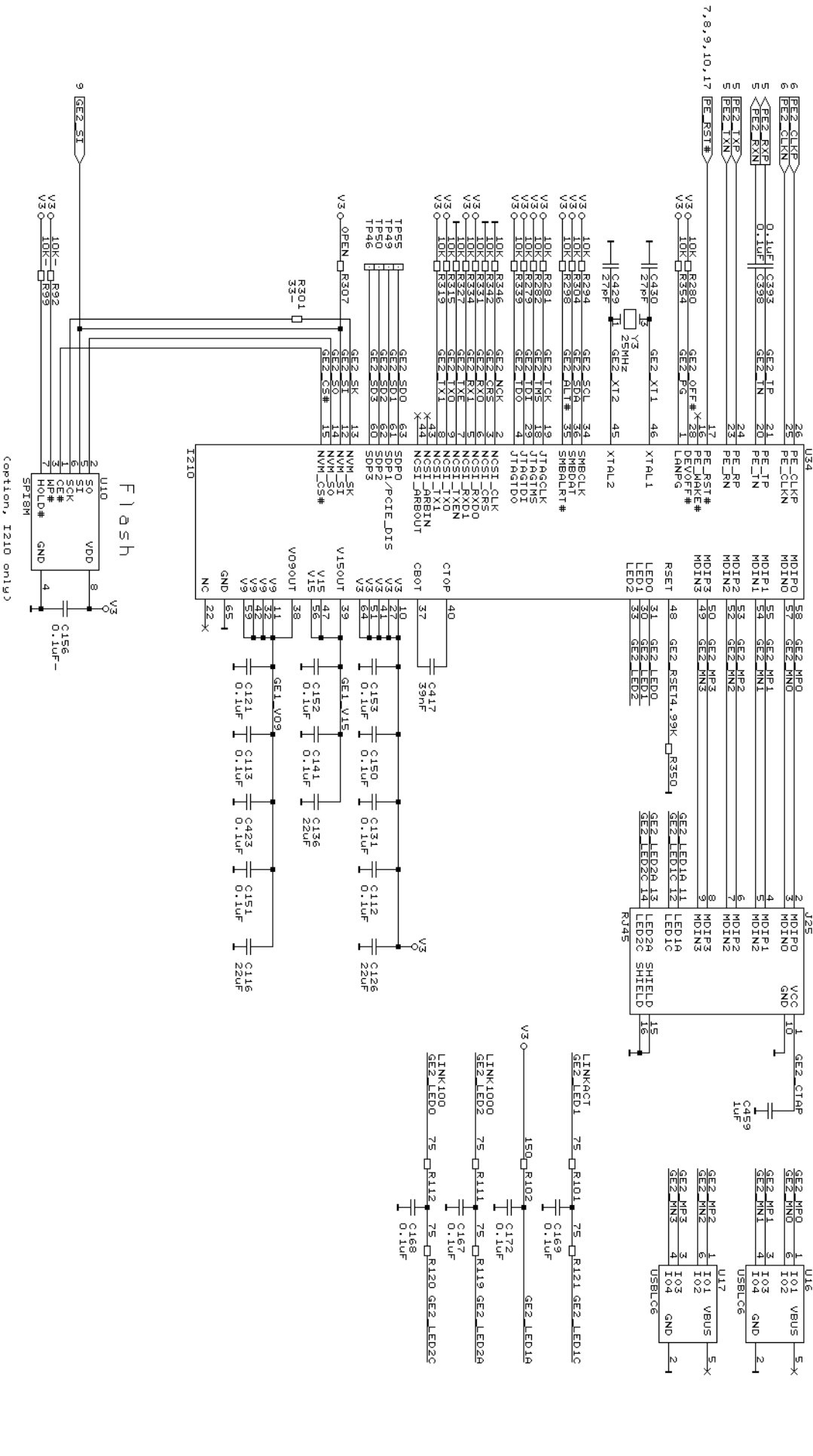
(option, I210 only)

Title		Ethernet (2)	
Size/Document Number		APU	
Date		December 11, 2014	
Sheet		10 of 17	
REV		3C	
©2016 PC Engines GmbH			

Gigabit Ethernet 3

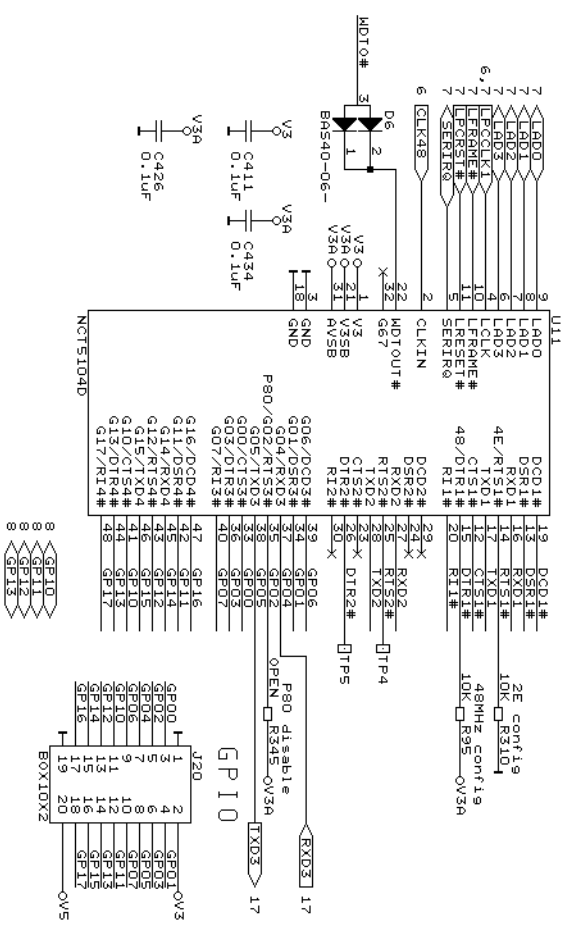
RJ45

ESD protection

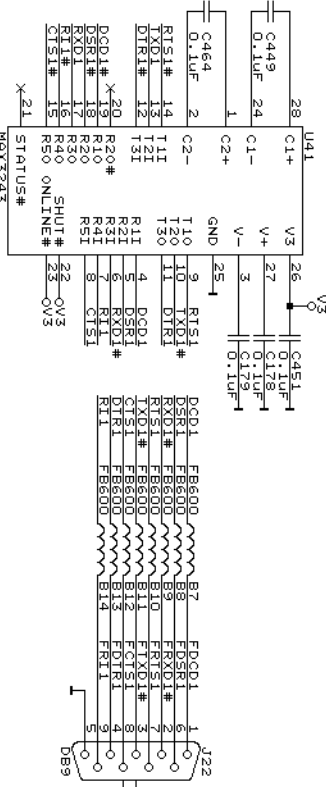


(option, I210 only)

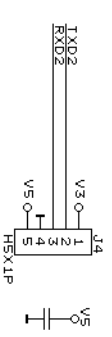
LPC UART



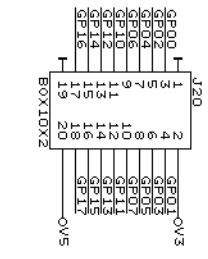
COM1



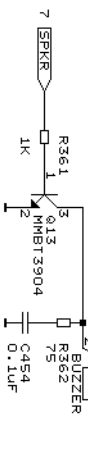
COM2



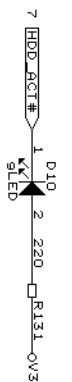
GPIO



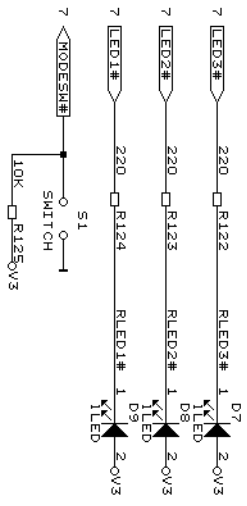
Buzzer



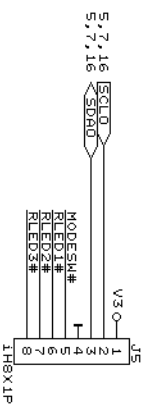
SATA activity LED



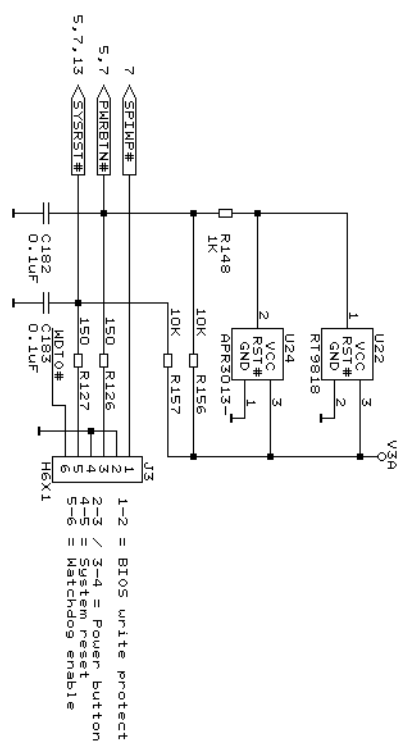
LED + switch



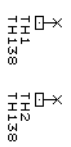
I2C option



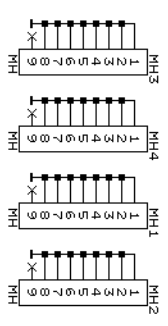
Power / reset / watchdog header



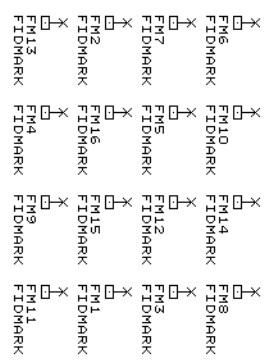
Heat spreader mounting



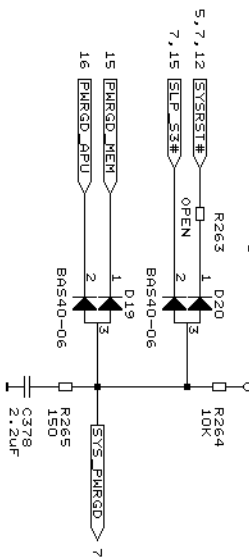
Mounting holes



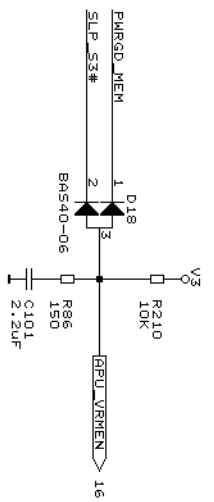
Fiducial marks



Power good v18a

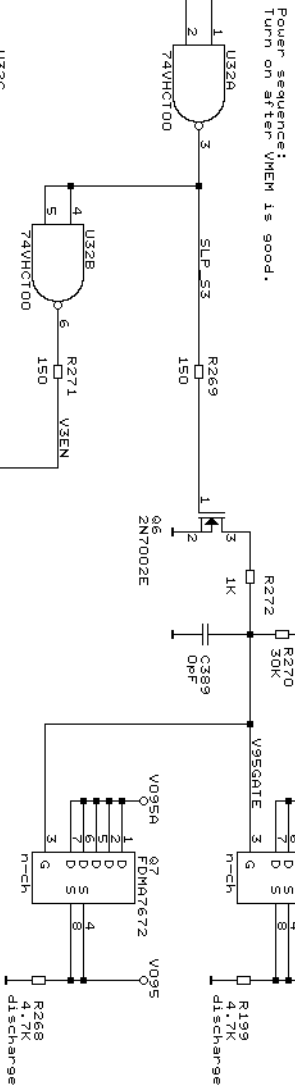


VRM test points



- V5A-O-TP58
- V5O-TP45
- V3A-O-TP44
- V3O-TP43
- V18A-O-TP37
- V18O-TP36
- V15A-O-TP40
- V15O-TP39
- V11O-TP31
- V11O-TP32
- V095A-O-TP42
- V095O-TP41
- V095A-O-TP38
- VNB-O-TP39

Power switch



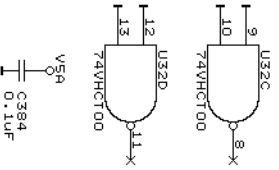
1.8V

0.95V

3.3V

5V

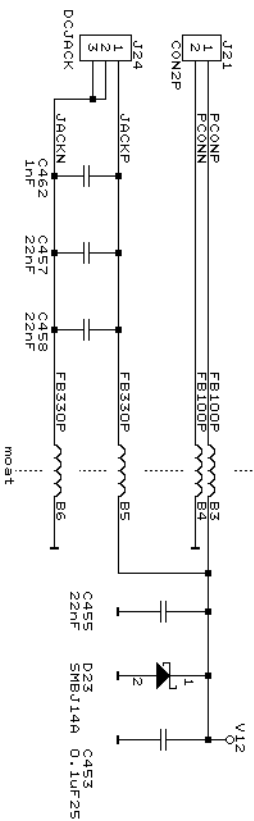
Power sequence:
Turn on after VMEM is good.



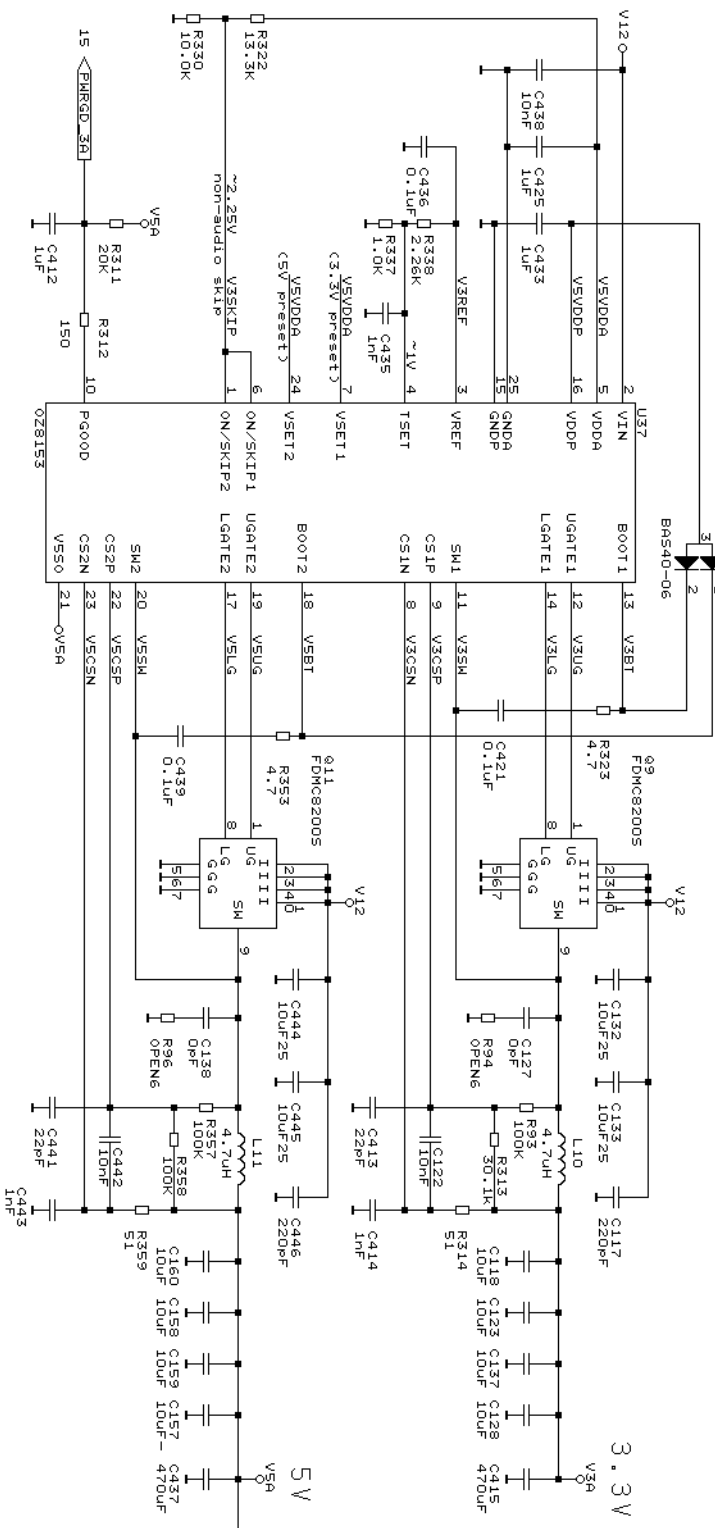
©2016 PC Engines GmbH

Title	power good, power switch
Size	B
Document Number	APU
Date	February 5, 2016
Sheet	13 of 17
REV	3C

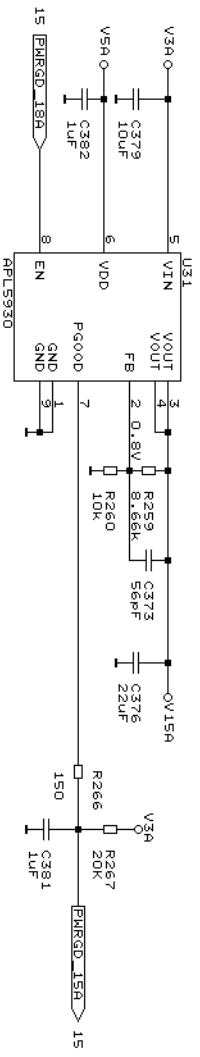
Power input +12V



3.3V and 5V converter

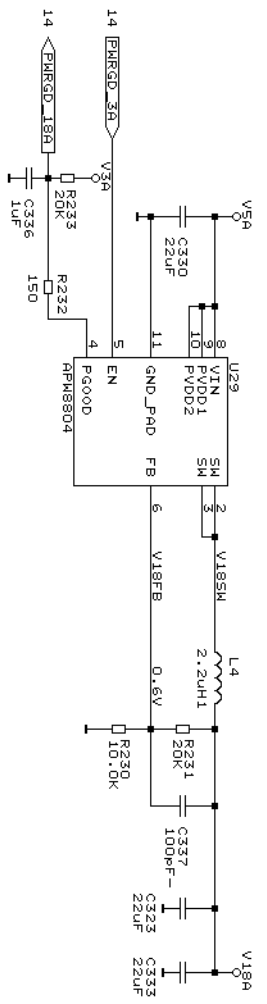


3.3V -> 1.5V LDO (0.5A)



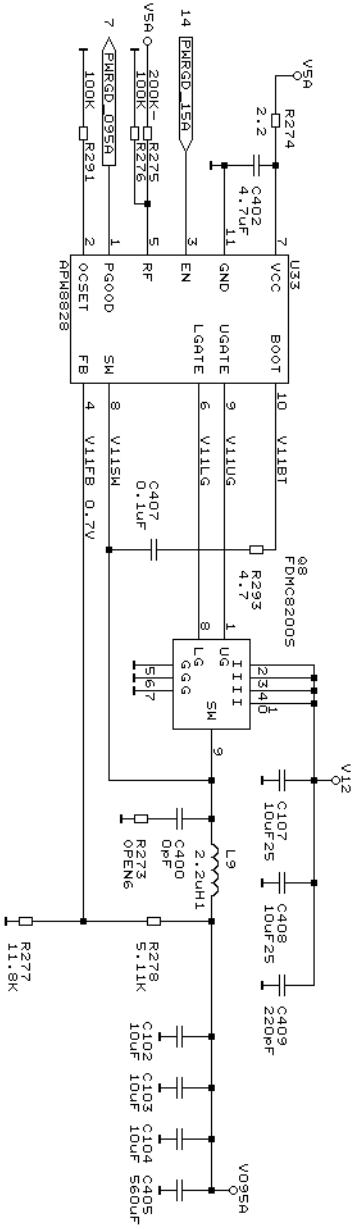
Title		power In, 3.3V, 5V, 1.5V	
Size/Document Number		APU	
Date:	October 3, 2017	Sheet	14 of 17
REV		3C	

©2016 PC Engines GmbH



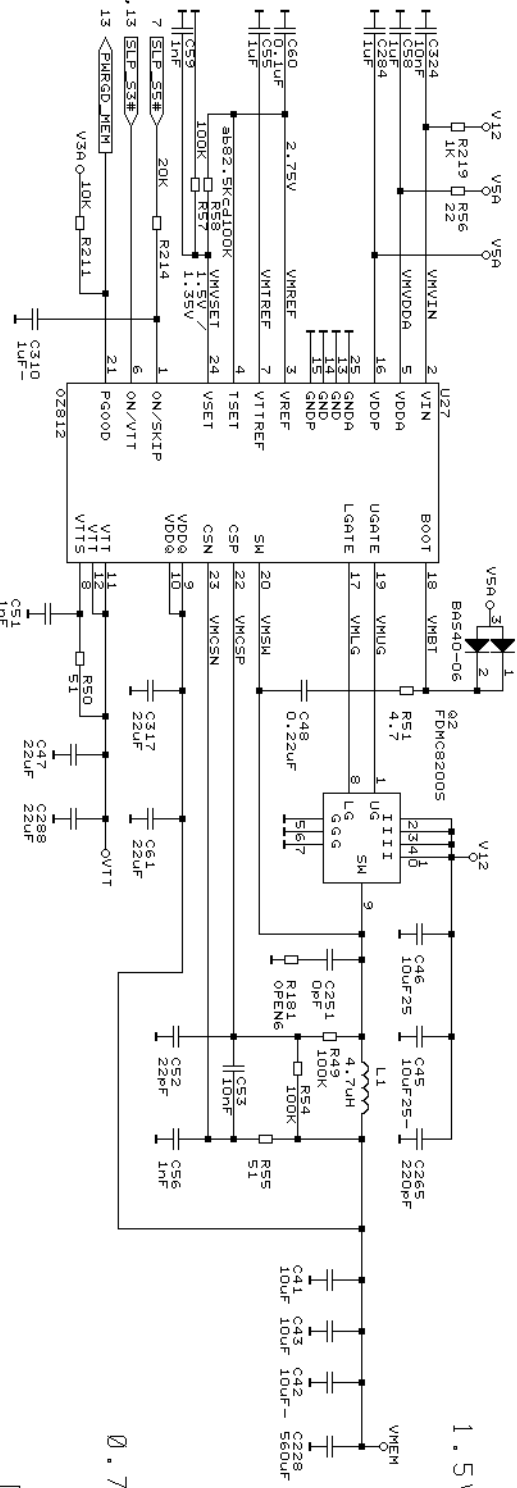
1.8 V , 2A

0.95A , 5A



VMEM converter and VTT LDO

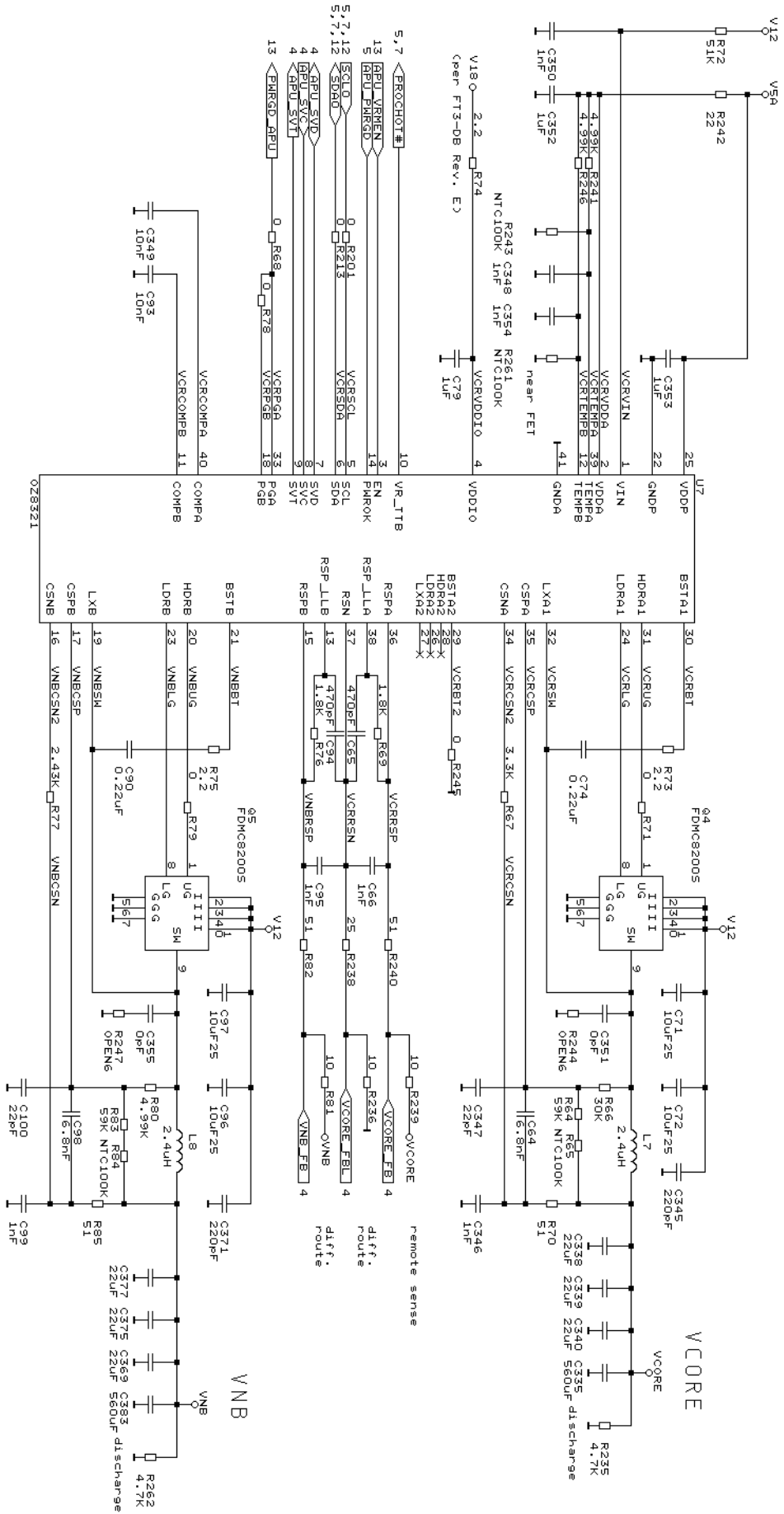
1.5V VMEM



0.75V VTT

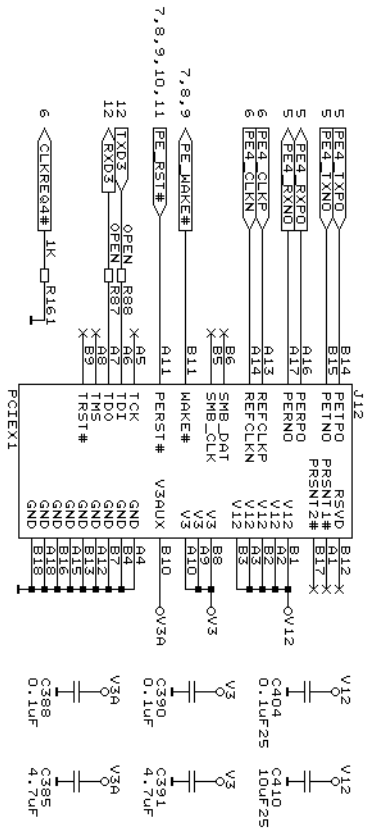
CC2016 PC Engines GmbH	
Title	1.8V, 0.95V, VMEM, VTT
Size	Document Number
B	APU
Date:	February 10, 2017
Sheet	15 of 17
REV	3C

VCORE and VNB converter



©2016 PC Engines GmbH	
Title	VCORE, VNB
Size	Document Number
B	APU
Date:	February 5, 2016
Sheet	16 of 17
REV	3C

PCIe x1 expansion



Title		PCIe x1	
Size		B	
Document Number		APU	
Date		March 8, 2016	
Sheet		17 of 17	
REV		3C	
©2016 PC Engines GmbH			